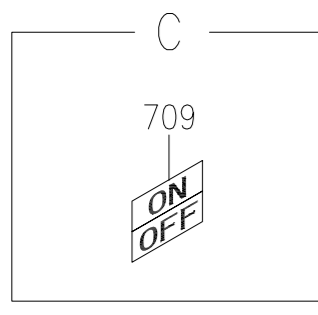
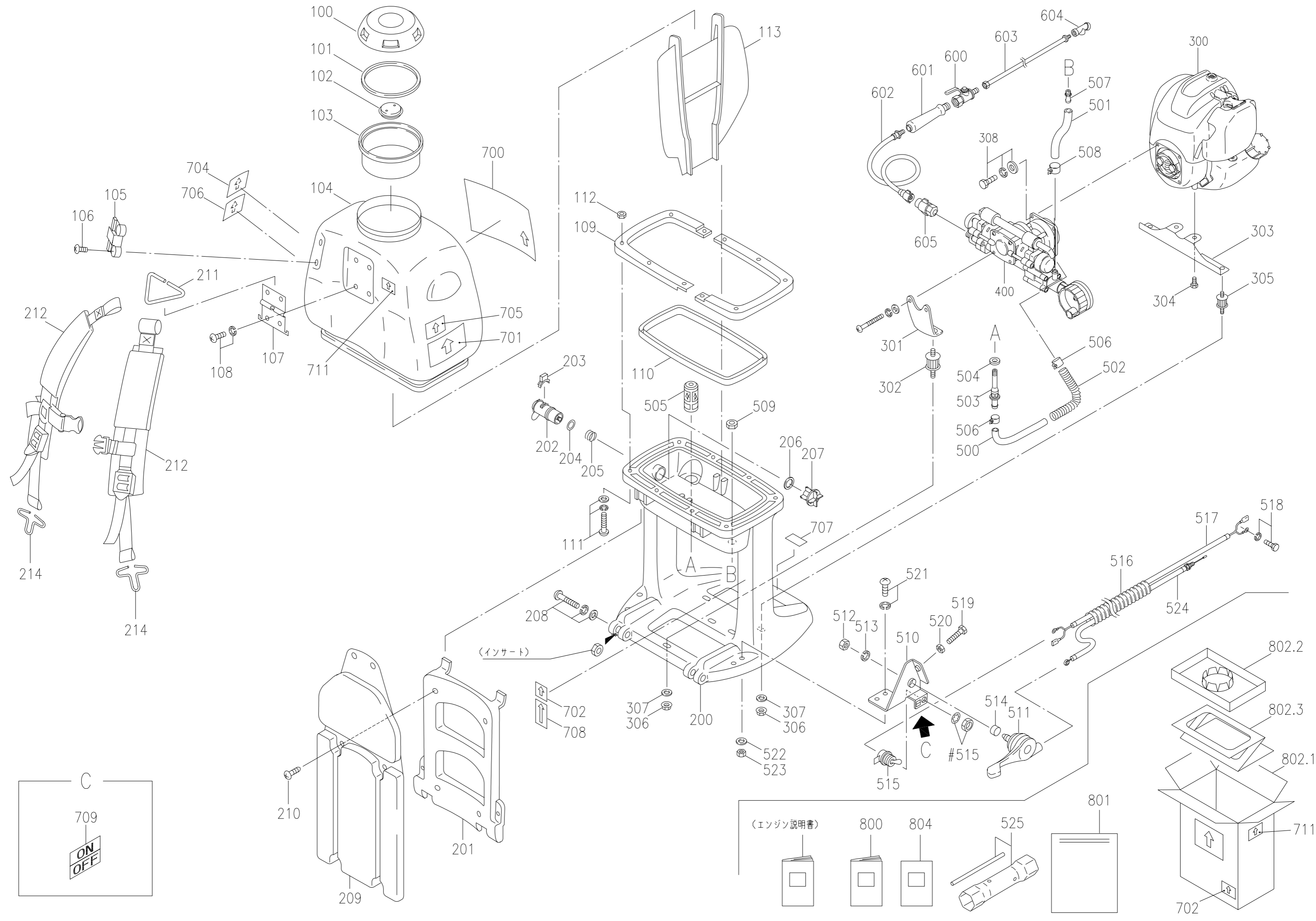




IRRORATORE MARUNAKA

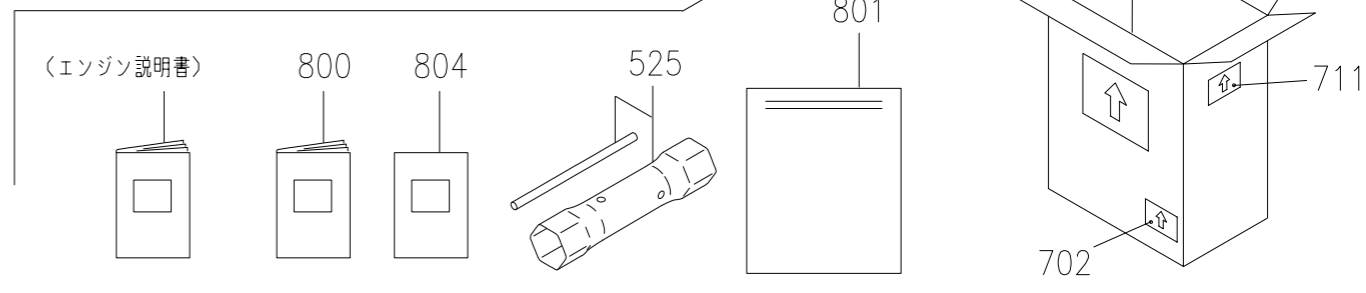
HP7S-TU26/TL231

ESPLOSO RICAMBI



(インサート)

(エンジン説明書)



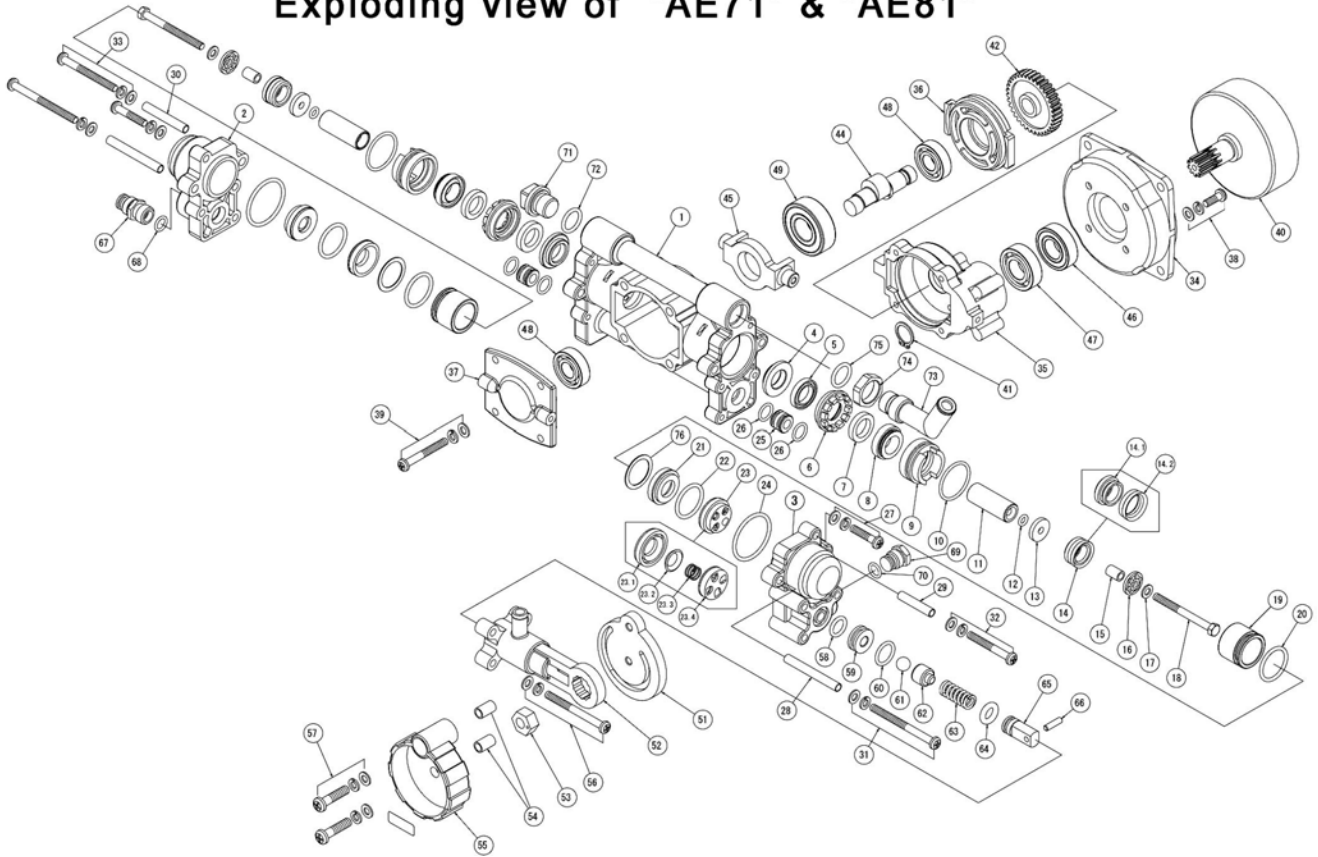
IRRORATORE A ZAINO MODELLO HP7S26-TL231/TU26E

| REF.NO | PARTS CODE | | QTY | |
|--------|------------|---------------------|-----|--|
| 100 | 800200956 | RID | 1 | |
| 101 | 800200957 | PACKING | 1 | |
| 102 | 800200958 | CAP | 1 | |
| 103 | 800200959 | FILTER | 1 | |
| 104 | 800200960 | TANK ASS'Y | 1 | |
| 105 | 800200963 | NOZZLE HOLDER | 1 | |
| 106 | 800200964 | SCREW | 2 | |
| 107 | 800200965 | HANGER STRAP STEM | 1 | |
| 108 | 800200966 | SCREW | 4 | |
| 109 | 800200967 | STAY | 2 | |
| 110 | 800200968 | PACKING | 1 | |
| 111 | 800200969 | SCREW | 8 | |
| 112 | 800200970 | NUT | 8 | |
| 113 | 800200971 | PROTECTOR | 1 | |
| 200 | 800200972 | FRAME | 1 | |
| 201 | 800200973 | BACK PLATE | 1 | |
| 202 | 800200974 | CAP | 1 | |
| 203 | 800200975 | LEVER | 1 | |
| 204 | 800200976 | O-RING | 1 | |
| 205 | 800200977 | SPRING | 1 | |
| 206 | 800200978 | PACKING | 1 | |
| 207 | 800200979 | VALVE | 1 | |
| 208 | 800200980 | SCREW | 2 | |
| 209 | 800200981 | CUSHION | 1 | |
| 210 | 800200982 | SCREW | 4 | |
| 211 | 800200983 | HANG STRAP STEM | 1 | |
| 212 | 800200984 | HANGING BAND ASS'Y | 1 | |
| 214 | 800200985 | HANG STRAP STEM | 2 | |
| 215 | 800200990 | WASHER | 4 | |
| 300 | 801689926 | ENGINE | 1 | |
| 301 | 800200986 | ENGINE BASE | 1 | |
| 302 | 801682666 | DAMPER | 1 | |
| 303 | 800200932 | ENGINE BASE | 1 | |
| 305 | 801655381 | DAMPER | 2 | |
| 306 | 800200989 | FLANGE NUT | 3 | |
| 307 | 800200990 | WASHER | 3 | |
| 308 | 800200991 | SCREW | 4 | |
| 309 | 800201028 | ENGINE BASE | 1 | |
| 310 | 800201007 | SCREW | 2 | |
| 311 | 800200367 | NUT | 4 | |
| 400 | 801676452 | PUMP ASS'Y TYPE AE7 | 1 | |
| 500 | 800200992 | HOSE | 1 | |
| 501 | 800200993 | HOSE | 1 | |
| 502 | 800200994 | TUBE | 1 | |
| 503 | 800200995 | MALE JOINT | 1 | |
| 504 | 800200996 | PACKING | 1 | |
| 505 | 800200997 | FILTER | 1 | |
| 506 | 800200998 | CRAMP | 2 | |
| 507 | 800200999 | MALE JOINT | 1 | |
| 508 | 800201000 | CRAMP | 1 | |
| 509 | 800201001 | NUT | 1 | |
| 510 | 800201002 | STAY | 1 | |
| 511 | 800990380 | THROTTLE LEVER | 1 | |

IRRORATORE A ZAINO MODELLO HP7S26-TL231/TU26E

| REF.NO | PARTS CODE | | QTY | |
|--------|------------|-----------------|-----|--|
| 512 | 800201048 | NUT | 1 | |
| 513 | 800200115 | SPRING WASHER | 1 | |
| 514 | 800201003 | COLLAR | 1 | |
| 515 | 800888030 | SWITCH | 1 | |
| 516 | 800201004 | TUBE | 1 | |
| 517 | 800201029 | CODE ASS'Y | 1 | |
| 519 | 800201006 | SCREW | 1 | |
| 520 | 800200110 | NUT | 1 | |
| 521 | 800201007 | SCREW | 2 | |
| 522 | 800200990 | WASHER | 2 | |
| 523 | 800201008 | NUT | 2 | |
| 524 | 800201030 | WIRE ASS'Y | 1 | |
| 525 | 800200930 | SPANNER ASS'Y | 1 | |
| 600 | 805209290 | LEVER COCK | 1 | |
| 602 | 800201411 | HOSE ASS'Y | 1 | |
| 603 | 800200308 | PIPE | 1 | |
| 604 | 801685191 | NOZZLE TIP NND7 | 1 | |
| 605 | 800201011 | FLEXIBLE JOINT | 1 | |
| 700 | 800200938 | LABEL | 1 | |
| 701 | 800201032 | LABEL | 1 | |
| 702 | 800201053 | LABEL | 2 | |
| 708 | 800200309 | LABEL | 1 | |
| 709 | 800201017 | LABEL | 1 | |
| 800 | 800201355 | MANUAL | 1 | |
| 801 | 800200026 | BAG | 1 | |
| 802 | 800201033 | CARTON | 1 | |
| 802.1 | 800201034 | CARTON | 1 | |
| 802.2 | 800201022 | CARTON | 1 | |
| 802.3 | 800201023 | CARTON | 1 | |

Exploding view of "AE71" & "AE81"



| REF NO. | CODE NO. | DESCRIPTION | Q'TY | |
|---------|-----------|---------------------|------|------------------|
| | 801676453 | PUMP ASS'Y TYPE AE7 | 1 | AE70 |
| | 800200374 | PUMP ASS'Y TYPE AE5 | 1 | AE50 |
| 1 | 800200212 | CRANK CASE | 1 | |
| 2 | 800200213 | DISCHARGE HOUSING | 1 | |
| 3 | 800200214 | DISCHARGE HOUSING | 1 | |
| 4 | 800200215 | COLLAR | 2 | |
| 5 | 801689548 | OIL SEAL | 2 | VC14x22x4 |
| 6 | 800200216 | GREASE RING | 2 | |
| 7 | 800200217 | PACKING | 2 | 14x21x4 |
| 8 | 801689549 | WATER SEAL | 2 | TCLY 14x24x5.6x8 |
| 9 | 800200218 | OIL SEAL CASE | 2 | |
| 10 | 801650712 | O-RING | 2 | S26 |
| 11 | 800200219 | POSTON ROD | 2 | |
| 12 | 800200220 | O-RING | 2 | 5x1.8 |
| 13 | 800200221 | VALVE SEAT | 2 | |
| 14 | 800200222 | VALVE ASSY | 2 | |
| 14,1 | 800200223 | VALVE | 2 | |
| 14,2 | 801689547 | PISTON PACKING | 2 | OUY 20x14x5.6x4 |
| 15 | 800200224 | COLLAR | 2 | |
| 16 | 800200225 | WASHER | 2 | |
| 17 | 800200226 | WASHER | 2 | |
| 18 | 800200227 | BOLT | 2 | M5x55 |
| 19 | 800200228 | CYLINDER | 2 | |
| 20 | 800033581 | O-RING | 2 | P22 |
| 21 | 800200229 | VALVE GUIDE | 2 | |
| 22 | 800033581 | O-RING | 2 | P22 |
| 23 | 800200230 | VALVE ASSY | 2 | |
| 23,1 | 800200231 | VALVE SEAT | 2 | |

| | | | | |
|------|-----------|---------------------------------|---|--------------|
| 23,2 | 800200232 | VALVE | 2 | |
| 23,3 | 800200233 | SPRING | 2 | |
| 23,4 | 800200234 | VALVE CASE | 2 | |
| 24 | 800200235 | O-RING | 2 | 31.7x2.4 |
| 25 | 800200236 | COLLAR | 2 | 7x13x10 |
| 26 | 800200237 | O-RING | 4 | 10x1.8 |
| 27 | 800200238 | SCREW | 5 | M5x25 |
| 28 | 800200239 | COLLAR | 2 | 5x6x50 |
| 29 | 800200240 | COLLAR | 1 | 5x6x30.5 |
| 30 | 800200241 | COLLAR | 1 | 5x6x39.5 |
| 31 | 800200242 | SCREW | 2 | M5x60 |
| 32 | 800200243 | SCREW | 1 | M5x40 |
| 33 | 800200244 | SCREW | 1 | M5x50 |
| 34 | 800200245 | CLUTCH CASE | 1 | |
| 35 | 800200246 | GEAR CASE | 1 | |
| 36 | 800200247 | BEARING CASE | 1 | |
| 37 | 800200248 | BEARING CASE | 1 | |
| 38 | 800200249 | SCREW | 4 | M5x15 |
| 39 | 800200250 | SCREW | 4 | M5x55 |
| 40 | 800200251 | CLUTCH DRUM | 1 | |
| 41 | 800200252 | STOPPER | 1 | SHAFT C-15 |
| 42 | 800200253 | GEAR | 1 | |
| 44 | 800200254 | CAM FOR PUMP TYPE AE7 HP7S26H25 | 1 | 7.6mm STROKE |
| | 800200409 | CAM FOR PUMP TYPE AE5 HP5S17H25 | 1 | 6.0mm STROKE |
| 45 | 800200255 | CON-ROD | 1 | |
| 46 | 800047030 | BEARING | 1 | 6002LLU |
| 47 | 800200256 | BEARING | 1 | 6002 |
| 48 | 800200257 | BEARING | 2 | 6001Z |
| 49 | 800200258 | BEARING | 1 | 6203ZZ |
| 51 | 800200259 | HANDLE | 1 | |
| 52 | 800200260 | SPRING CASE | 1 | |
| 53 | 800200261 | COLLAR | 1 | |
| 54 | 800200262 | COLLAR | 2 | |
| 55 | 800200263 | HANDLE | 1 | |
| 56 | 800200250 | SCREW | 3 | M5x55 |
| 57 | 800200264 | SCREW | 2 | M6x25 |
| 58 | 800200265 | O-RING | 1 | 11x2.4 |
| 59 | 800200266 | VALVE SEAT | 1 | |
| 60 | 800200267 | O-RING | 1 | 14x2.2 |
| 61 | 801663364 | BALL | 1 | 3/8 INCH |
| 62 | 800200268 | WASHER | 1 | |
| 63 | 800200269 | SPRING | 1 | |
| 64 | 800033511 | O-RING | 1 | P9 |
| 65 | 800200270 | WASHER | 1 | |
| 66 | 800200271 | PIN | 1 | |
| 67 | 800200272 | NIPPLE | 1 | G1/4 |
| 68 | 800200273 | O-RING | 1 | 8x1.8 |
| 69 | 800200274 | PLUG | 1 | G1/4 |
| 70 | 800200273 | O-RING | 1 | 8x1.8 |
| 71 | 800200275 | PLUG | 1 | G3/8 |
| 72 | 800200267 | O-RING | 1 | 14x2.2 |
| 76 | 800200927 | WASHER | 1 | |